

The Sherwood Home Collection



*ZERO CLEARANCE
GAS FIREPLACES
BY ENVIRO*



DV 50 DX – The Cottage – Antique Copper accents



The Many Faces of the

Every home is unique, with special features that set it apart. This presents a challenge for manufacturers, to design quality fireplaces that can be adapted to any homeowner's taste.



DV 50 DX FIREBOX

The DV 50 DX and DV 42 DX both feature 5-sided "Bankers Brown" brick liners and a cast iron firegrate with andirons.

The DV 50 DX fireplace makes a strong statement. It boasts an 11-piece "Mature Fire" log set and a viewing area of 35" x 25" — up to 50,000 BTUs of heat is available through our beautiful EmberGlo® fire.

The DV 42 DX firebox is filled with up to 38,000 BTU's of flame and a 7-piece ceramic fibre log set. You'll enjoy a large viewing area of 32" x 20".



The Cape Cod

DV 50 DX - The Cape Cod – closed doors

The Cape Cod statement is a strong and permanent one, reminiscent of the craftsmanship of a bygone era. The steel we use is thick and the hinges are strong - it is built to last. The doors are screened and functional: when opened, they convey a three dimensional aspect that connects your fireplace to the room.

The Cape Cod is finished in a metallic charcoal grey paint. Available on DV 50 DX and DV 42 DX models only.



DV 42 DX - The Cape Cod – open doors

Sherwood Home Collection

The five Sherwood Home Collection faces have been specially designed for the Enviro DV 42 DX and DV 50 DX fireplaces. Within these, many design variables are available to further customize your fireplace.



The Cottage

DV 42 DX - The Cottage – Pewter accents



DV 42 DX - The Cottage – 24kt Gold accents



DV 42 DX - The Cottage – Painted accents



DV 50 DX - The Cottage – Antique Copper accents

This unique fireplace face offers something different for the discerning homeowner. The Cottage has a rare three-dimensional feel thanks to the arched top and the convex front. Details include a hinged control panel door, top carriage bolts and an inset design patterned after a rope knot.

The Cottage frame is finished in metallic charcoal grey paint and there are four optional trim kits. These kits are available in charcoal metallic paint, 24kt gold, pewter or antique copper. Each kit contains top and bottom trim with carriage bolts and a rope knot inset.

Available on DV 50 DX and DV 42 DX fireplace models only.



DV 42 DX FIREBOX



The Lodge

DV 50 DX - The Lodge – Brushed Nickel accents

The Lodge was designed to suit the clean lines of today's modern home. Patterned after a picture frame, the design emphasizes and enhances our large and beautiful fireplaces. Brushed nickel louvers and knobs come as standard.

The Lodge boasts a strong sense of style. Note how the glass is set back from the outside border, see the strong knobs on the solid hinged control panel door and feel the finish and strength of the brushed nickel louvers. Available on DV 50 DX and DV 42 DX models only.

The Enviro Story

An Enviro fireplace offers you the perfect blend of function, reliability and stylish design.

Built without compromise by world renowned Sherwood Industries, Enviro fireplaces are the most technologically advanced fireplaces available anywhere. They also offer the widest range of designer face options.

Enviro uses only the finest materials and construction is of heavy gauge steel or cast iron. Our rigorous testing ensures that every Enviro fireplace will virtually last a lifetime.



DV 42 DX – The Chalet – 24kt Gold

The Chalet



DV 42 DX – The Chalet – Brushed Nickel



DV 42 DX – The Chalet – Painted with Brushed Nickel accents

The styling theme for the Chalet is reflection and the soft curves bring your eye into the heart of your fireplace - the fire. The intricate patterns on all face options are cut to microscopic tolerances with our sophisticated laser cutting machine. Specially machined carriage bolts, hinged control panel door and folded sides provide the solid feel you were looking for in a fireplace. Available on DV 50 DX and DV 42 DX models only.

The Manor



DV 42 DX - The Manor – Black Enamel

A stately home demands a stately center piece and our designers chose cast iron as the medium for this elegant focal point for your home. Using cast iron, we have created a three-dimensional work of art with just enough detail to impress any visitor to your home. Available in diamond black porcelain enamel or black painted finishes, this beautiful face features a large bay viewing area. Some day, it will become an heirloom you'll want to see passed on from one generation to the next. Available on DV 42 DX model only.



*DV 42 DX - The Manor –
Painted Cast Iron*



Cast Iron firebox liner

Firebox Liners

Cast Iron - A reflective mood, a sense of permanence and a beautiful three dimensional design that only cast iron can provide - these are the features that will impress you when you put the optional cast iron firebox liner in your DV 42 DX fireplace. Coated in a diamond black porcelain enamel finish, it will give subtle reflections of the fire to make it appear even deeper and fuller. Available on the DV 42 DX model only.

Brick - Bankers Brown firebox liners are standard on the DV 50 DX and DV 42 DX and optional on the DV 36 fireplace. These ceramic liners have deep grout patterns and good relief in the brick area. The brick shows a multitude of colour, from rich reds and rustic browns to dark burnt areas.



Bankers Brown firebox liner

Enviro Safety Features

At Enviro there is no compromise where safety is concerned:

- All of our fireplaces are equipped with state of the art pilot and burner shut-off systems. The gas delivery valve is connected to a thermopile and a thermocouple to monitor the pilot flame - the gas flow can be shut off in 30 seconds, or less, if there is a loss of flame.
- Every Enviro fireplace has a self-closing pressure relief system designed to dissipate pressure in the firebox if the pilot safety system fails and delayed ignition occurs.
- Every glass door is made with 1/5" (5mm) thick ceramic glass. Industry regulations state that a fireplace must withstand one maximum delayed ignition without breaking the glass. On all Enviro fireplaces, we've engineered in the additional capacity to pass 10 delayed ignitions in testing.
- All models use a direct vent system. This means that your Enviro fireplace will be completely sealed and independent of your house envelope, as it uses only outside air for combustion.

The DV 36 fireplace



**DV 36 FIREBOX
WITH OPTIONAL
BRICK LINER**

Enviro Technology

Beneath the solid skin of every Enviro fireplace you will find a tour de force of efficient performance, safety features and versatility:

- They can run on either natural gas or propane.
- All models are designed to work in new construction or as an addition to an existing home.
- Our exclusive pilot system ensures continual heat even if the power goes out.
- All Enviro fireplaces can be operated with on/off or programmable thermostats and remote controls.
- The direct vent system allows for easy installation and it can vent from the top or the rear of the firebox.

DV 36 – Brushed Nickel louvers and optional brick firebox liner

The DV 36 is an attractive and affordable fireplace. With a standard door and painted louver trim, it can be installed straight out of the box and the large 32" x 20" ceramic glass viewing area is the window to the beautiful EmberGlo® fire.

Offering a 5-piece ceramic fibre log set, the DV 36 firebox still delivers over 30,000 BTU's of warmth! The shallow 13 3/8" firebox tapers to the rear, allowing the fireplace to be installed even in a tight corner setting.

The DV 36 has many style options available:

- The "Bankers Brown" 3-sided ceramic fibre brick liner adds texture to your fireplace interior.
- Louver trim packages give you the choice of a simple accent of color or a grand statement. The trim pieces are available in 24kt Gold, Brushed Nickel and Antique Copper plated finishes.
- An optional 130 CFM fan kit, with a variable speed control, pushes the convection heat further into the room for greater efficiency and comfort.



*DV 36 – Antique Copper louvers
(3 sets) and optional
brick firebox liner*

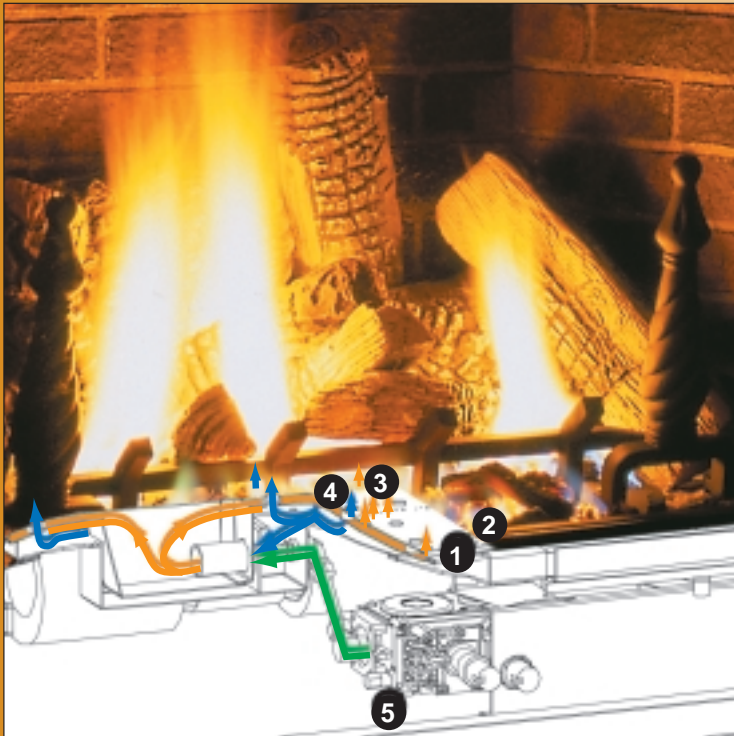


*DV 36 – 24kt Gold louvers
(2 sets) and optional
brick firebox liner*



DV 36 – Standard

EmberGlo® Burner System



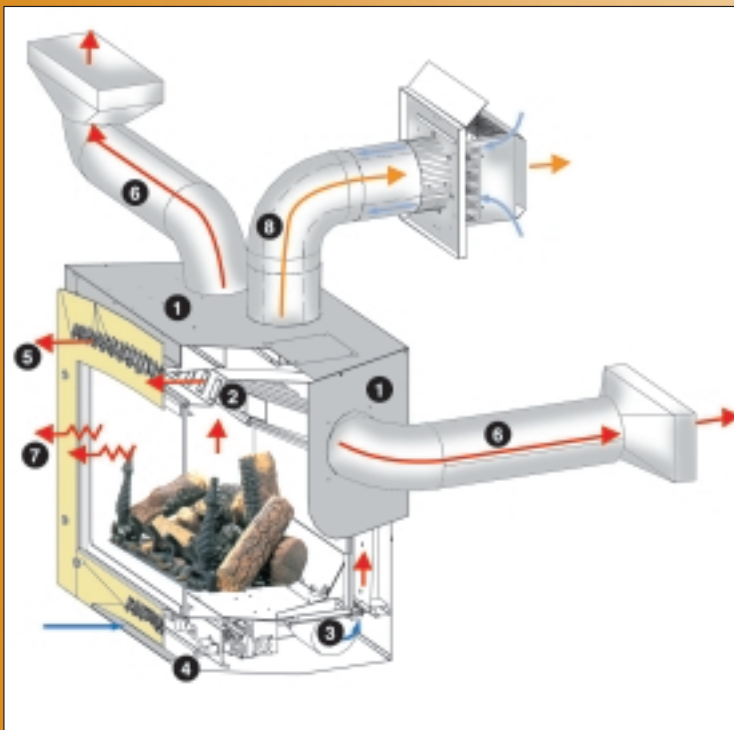
As the fireplace is the focal point of your home, our exclusive EmberGlo® fire is at the heart of all Enviro fireplaces.

Our pan burner design (1) allows us to put the flame anywhere in the firebox. The gas and air is blended below the ember bed (2) through a series of gas-ports (3) and air-ports (4) in the burner. As a result, we can slow down the flames to give the gentle, meandering and lazy look of a wood fire.

Our EmberGlo® burner system is made from the best 18 gauge, 304 grade, stainless steel, similar to the stainless steel used in the marine industry. The engineered mixing ports add structural strength to our burner. Thicker, high quality materials and engineered structure give your Enviro EmberGlo® burner system a very long life span.

Setting the valve (5) on high will fill the firebox with slowly dancing flames, but Enviro has something else that is special - our ability to turn the gas down by 50%! This turns your Enviro fireplace into a mature, glowing ember bed that is so relaxing at the end of the day.

HeatFlo® System



The DV 42 DX and DV 50 DX models are equipped with the Enviro HeatFlo® air transfer system. This system lets you transfer some of the heat from your fireplace to other areas of your home.

How it works – An outer steel chamber (1) covers the back, top and sides of the firebox and heat exchanger (2). The 200 CFM convection fan (3), when turned on, pressures this area. A lever (4) at the bottom of the fireplace allows you to select how much convection air to send into the room the fireplace is located in (5) and how much to send to other areas (6) up to 20' away.

There are four take-off locations on the fireplace and normal low-cost furnace ducting and registers (6) are used to transfer the heat. Because our system uses non-powered registers, it costs significantly less to install.

Radiant Heat – The heat is held in the firebox for a longer time because our flame meanders slowly. As a result, more of the available heat is given the time to radiate (7) through the glass to the room, making your Enviro fireplace more efficient.

Direct Vent Technology – All Enviro fireplaces use a direct vent system (8). This means that the fireplace only uses outside air for combustion.

Built to last a lifetime.



Optional
Wireless Thermostat



Optional
Remote Controller

Models	DV 36	DV 42 DX	DV 50 DX
Features			
50% Turn Down Valve	S	S	S
EmberGlo® Burner System	S	S	S
1/5" (5mm) Ceramic Glass	S	S	S
Heat Exchanger	S	S	S
"Mature Fire" Ceramic Fibre Log Set	5 piece	7 piece	11 piece
"Mature Fire" Ceramic Fibre Ember Bed	S	S	S
Mobile Home Approved	Yes	Yes	Yes
Furnace Rated	Yes	Yes	Yes
Cast Iron Firebox Grate	S	S	S
Cast Iron Firebox Andirons	-	S	S
HeatFlo® Hot air transfer system*	-	S	S
200 CFM variable speed fan	-	S	S
130 CFM variable speed fan	0	-	-
LP Gas Conversion Kit	0	S	S
Cast Iron Firebox liner	-	0	-
"Bankers Brown" Ceramic Firebox liner	0 - 3 sided	S - 5 sided	S - 5 sided
Basic On/Off Remote	0	0	0
Programmable Remote	0	0	0
Louvers (Sets of 2. Antique Copper, 24 kt Gold, Brushed Nickel)	0	-	-

Sherwood Home Collection**

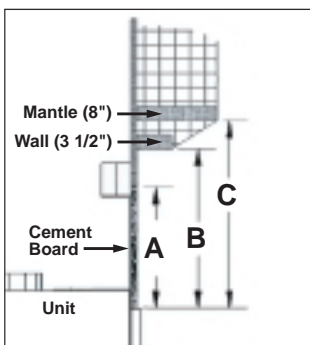
The Lodge with Brushed Nickel accents	-	29 1/2" x 37 3/8"	34 1/2" x 40 3/8"
The Manor (Diamond Black Porcelain or Black Painted accents)	-	35 1/2" x 39 5/8"	-
The Chalet (24kt Gold, Nickel Plated or Black Painted accents)	-	30 1/8" x 37 5/8"	35" x 42"
The Cottage (24kt Gold, Pewter, Antique Copper or Painted accents)	-	30 1/8" x 37 5/8"	33 3/4" x 41"
The Cape Cod Metallic Charcoal Grey Paint	-	35 1/2" x 39 7/8"	40 3/4" x 42 3/4"

Specifications and Dimensions†

Glass size	565 sq.in.	565 sq.in.	779 sq.in.
BTU/H (KW/H) Input Max. NG	31,300 (9.17)	38,000 (11.34)	50,000 (14.65)
BTU/H (KW/H) Input Max. LP	28,800 (8.44)	34,500 (10.11)	46,650 (13.76)
BTU/H (KW/H) Input Min. NG	17,500 (5.13)	20,000 (5.86)	27,000 (7.91)
BTU/H (KW/H) Input Min. LP	14,900 (4.37)	18,000 (5.28)	23,750 (6.96)
Area heated ft ² (m ²)* **	1,600 (149)	2,000 (186)	2,500 (232)
Weight in lbs. (kg)	160 (72.6)	230 (104)	280 (127)
Efficiencies (steady state)	79%	80%	80%

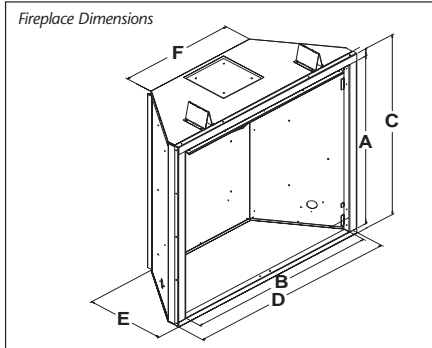
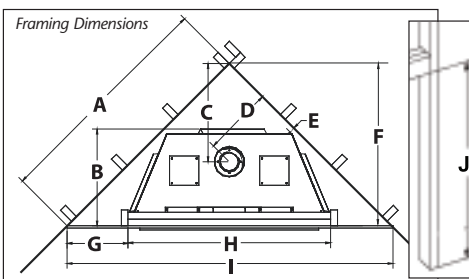
†Dimensions & specifications in this brochure should be used as guides only. Please refer to the owner's manual before framing or installation begins.

Dealer Name



Clearance to Combustibles

	DV 36	DV 42 DX	DV 50 DX
A	0"	12"	15 1/2"
B	8"	17"	24 1/2"
C	8"	20"	27 1/2"



Framing Dimensions†

	DV 36	DV 42 DX	DV 50 DX
A	33 3/4" (85.7cm)	47" (119.4cm)	50 7/8" (129.2cm)
B	13 5/8" (34.6cm)	19 1/2" (49.5cm)	21 1/2" (54.6cm)
C	15 1/2" (39.3cm)	21" (53.3cm)	21 3/4" (55.2cm)
D	11" (27.8cm)	14 3/4" (37.5cm)	15 3/8" (39.1cm)
E	1 1/2" (3.8cm)	1 1/4" (3.2cm)	1 1/4" (3.2cm)
F	23 7/8" (60.6cm)	33 1/8" (84.1cm)	36" (91.4cm)
G	5 7/8" (14.9cm)	12 1/8" (30.7cm)	13 1/2" (34.3cm)
H	36 1/8" (91.8cm)	42" (106.7cm)	45" (114.3cm)
I	47 5/8" (121cm)	66 1/4" (168.3cm)	72 3/8" (183.8cm)
J	37 1/2" (95.2cm)	41 1/2" (105.4cm)	49 1/4" (125.1cm)

Fireplace Dimensions†

	DV 36	DV 42 DX	DV 50 DX
A	32 1/8" (81.6cm)	28 1/4" (71.8cm)	33 1/4" (84.5cm)
B	33 1/8" (84.1cm)	36 3/4" (93.3cm)	39 5/8" (100.6cm)
C	34 1/2" (87.6cm)	31 1/4" (79.4cm)	37" (94cm)
D	36 1/8" (91.8cm)	41 5/8" (105.7cm)	44 5/8" (113.3cm)
E	13 5/8" (34.6cm)	19 1/2" (49.5cm)	20 3/8" (51.8cm)
F	20" (50.8cm)	26 1/2" (67.3cm)	27 3/4" (70.4cm)

*Venting and ducting not included.

** To complete a unit, you must select a face option.

***Subject to individual floor plans and room sizes.

Legend: S = Standard 0 = Optional - = Not available.

Specifications subject to change without notice.

Enviro fireplaces are protected by a limited lifetime warranty. See your dealer for details.



Printed in Canada - September, 2004

Manufactured by Sherwood Industries Ltd., Victoria, BC, Canada
www.envirofire.biz • email: enviro@shaw.ca